

CHASE RACK 2022-UP/RIVIAN R1T C940043090103



TOOLS REQUIRED

- 7/16, 9/16 Sockets
- 7/16, 9/16 Wrenches

SKILL LEVEL

- Easy

TIME REQUIRED

- Approximately 15 Minutes (This installation guide covers the installation of the product only. It does not include instructions and time for wiring)

WARNINGS/CAUTIONS BEFORE STARTING INSTALLATION

-BEFORE YOU INSTALL THIS KIT-

Read and understand all instructions, warnings, cautions, & notes contained in this installation instruction guide. Consult your vehicle owner's manual for proper disconnection of electrical and lifting of vehicle if required for installation of this product.

This install may require some technical skills and knowledge of basic mechanical work. If you do not feel that you are capable of performing this install please take this product to a trained professional.

After reading this guide please contact us with any questions or concerns before installing product.

Customer Service: 830-896-7571
Rago Fabrication is **not** responsible for any bodily injury or harm to you or your vehicle as a result of an improper install.

Proper installation of this kit required knowledge of the factory recommended procedures for removal and installation of original equipment components.

We recommend that the factory shop manual and any special tools needed to service your vehicle be on hand during the installation. Installation of this kit without proper knowledge of the factory recommended procedures may affect the

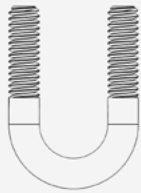
performance of these components and the safety of the vehicle. Inspect all contents of this package to make sure product is not damaged and all installation hardware has been included. If parts are missing from kit, please be prepared to provide the following information:

1. Name of purchase location
2. Bar Code on side of box
3. Date above bar code
4. Date inside box cover

***ALWAYS WEAR EYE PROTECTION
WHEN OPERATING POWER TOOLS***

HARDWARE

A.



1/4-20 X 1 1/4 U-BOLT

QTY: 2

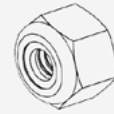
A1.



1/4" FLAT WASHER

QTY: 4

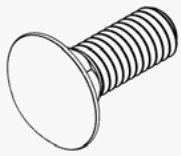
A2.



1/4-20 NYLON LOCK NUT

QTY: 4

B.



3/8-16 X 1" CARRIAGE BOLT

QTY: 4

B1.



3/8" PUSH NUT

QTY: 4

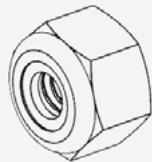
B2.



3/8" FLAT WASHER

QTY: 4

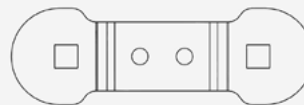
B3



3/8-16" NYLON LOCK NUT

QTY: 4

C.



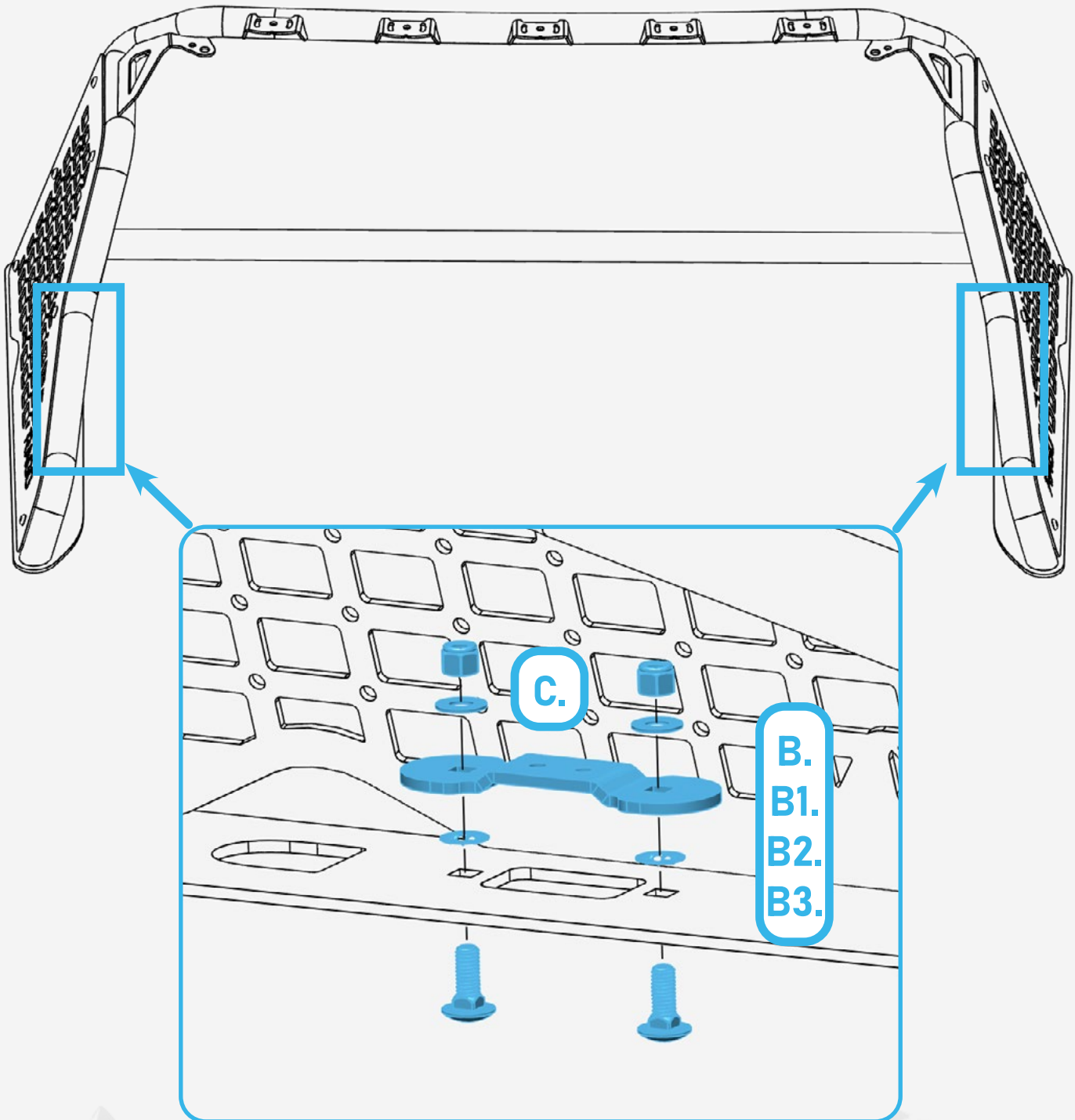
APL0579

QTY: 2



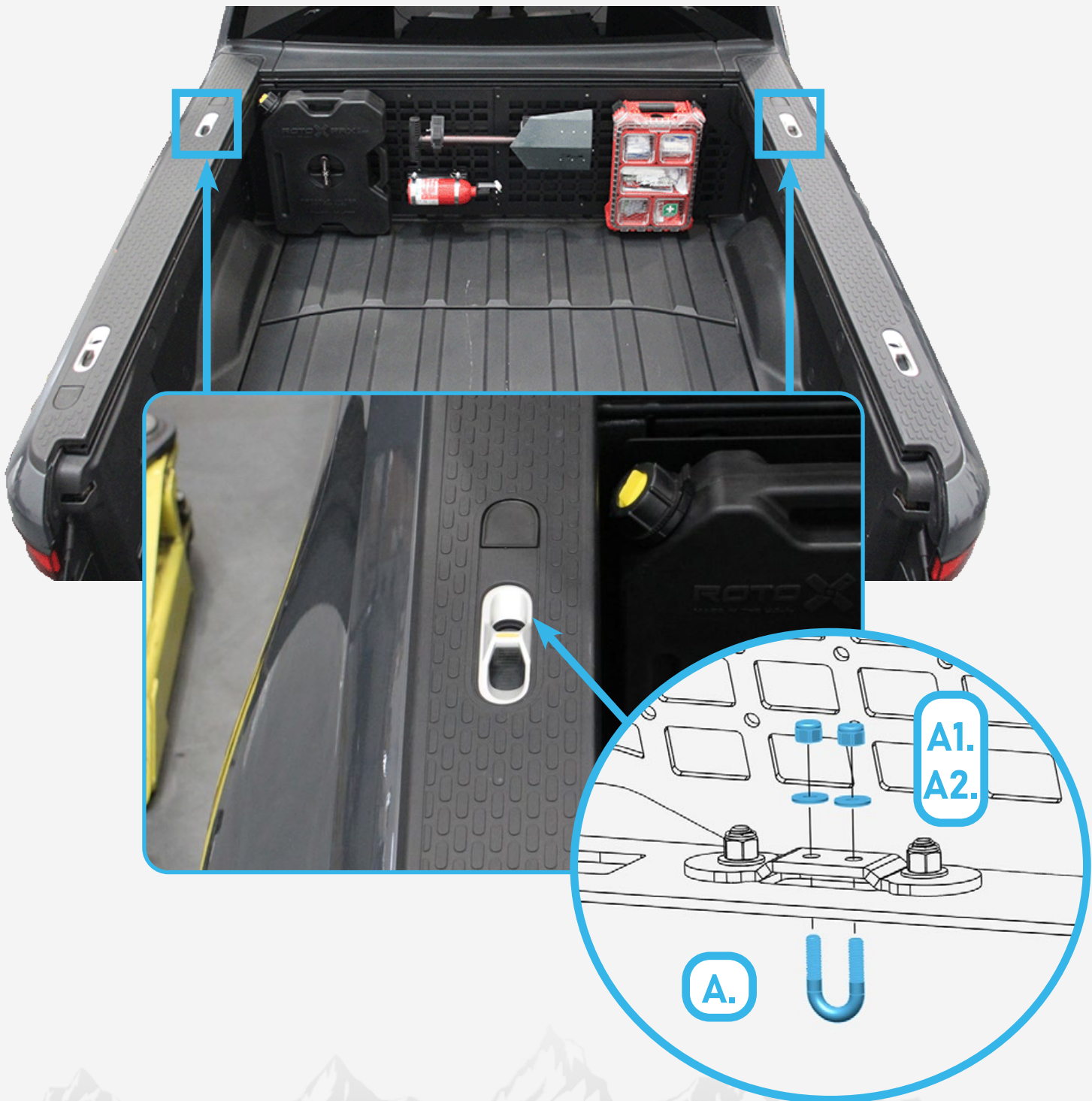
□ STEP 1

Install the provided (C) mounting plate to the chase rack as shown below with the provided (B, B1, B2, B3) 3/8 hardware using a (9/16 socket).



□ STEP 2

Before install the chase rack, only install the provided (A) u bolt into the hooks as shown below. Next, with a helping hand, place the chase rack onto the truck ensuring the (A) u bolt slips into the bracket. Next, install the provided (A1, A2) 1/4 hardware using a (7/16 socket).



STEP 3

Stand back and enjoy your new RAGO EV Chase Rack.

Check and re-tighten all mounting bolts after 100 miles and periodically thereafter.

