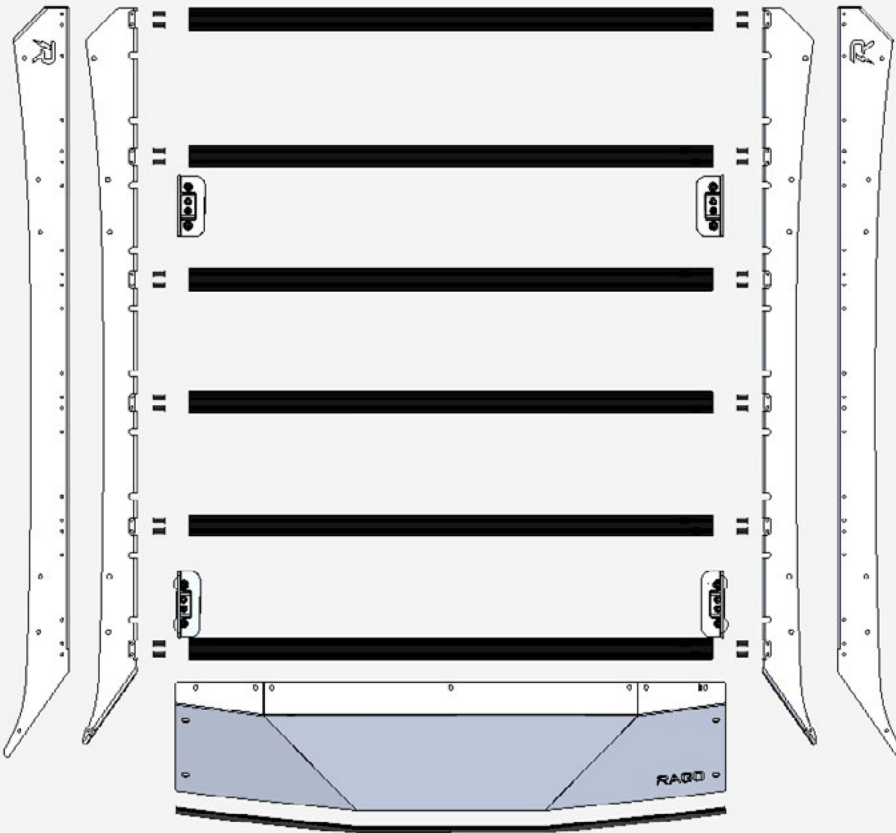


ROOF RACK WITH SOLID VALENCE | SMOOTH 2022-UP/RIVIAN R1T AC940850103



TOOLS REQUIRED

- 7/16, 9/16 sockets
- 7/16, 9/16 wrenches
- 5/32, 7/32 Hex
- Razor Blade

TIME REQUIRED

- Approximately 45 Minutes

SKILL LEVEL



EASY

WARNINGS/CAUTIONS BEFORE STARTING INSTALLATION

-BEFORE YOU INSTALL THIS KIT-

Read and understand all instructions, warnings, cautions, & notes contained in this installation instruction guide. Consult your vehicle owner's manual for proper disconnection of electrical and lifting of vehicle if required for installation of this product.

This install may require some technical skills and knowledge of basic mechanical work. If you do not feel that you are capable of performing this install please take this product to a trained professional.

After reading this guide please contact us with any questions or concerns before installing product.

Customer Service: 830-896-7571

Rago Fabrication is not responsible for any bodily injury or harm to you or your vehicle as a result of an improper install.

Proper installation of this kit required knowledge of the factory recommended procedures for removal and installation of original equipment components.

We recommend that the factory shop manual and any special tools needed to service your vehicle be on hand during the installation. Installation of this kit without proper knowledge of the factory recommended procedures may affect the

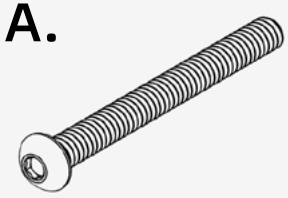
performance of these components and the safety of the vehicle.

Inspect all contents of this package to make sure product is not damaged and all installation hardware has been included. If parts are missing from kit, please be prepared to provide the following information:

1. Name of purchase location
2. Bar Code on side of box
3. Date above bar code
4. Date inside box cover

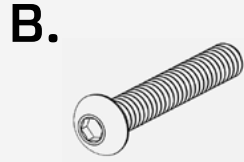
***ALWAYS WEAR EYE PROTECTION
WHEN OPERATING POWER TOOLS***

HARDWARE



1/4-20 X 2" BUTTON HEAD BOLT

QTY: 24



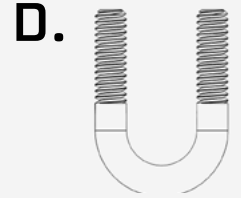
1/4-20 X 1" BUTTON HEAD BOLT

QTY: 12



1/4-20 X 1/2" BUTTON HEAD BOLT

QTY: 17



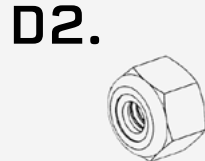
1/4-20 X 1 1/4" U-BOLT

QTY: 4



1/4" FLAT WASHER

QTY: 14



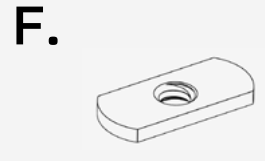
1/4-20" NYLON LOCK NUT

QTY: 14



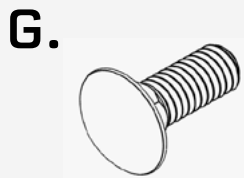
M6 FLAT WASHER

QTY: 53



1/4-20" T NUT

QTY: 17



3/8-16 X 1" CARRIAGE BOLT

QTY: 8



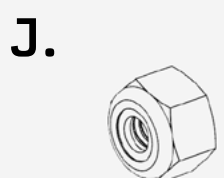
3/8-16 X 3/4" BUTTON HEAD BOLT

QTY: 4



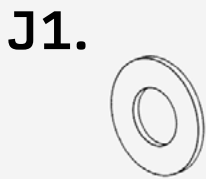
3/8" RETAINING WASHER

QTY: 8



3/8-16 NYLON LOCK NUT

QTY: 8



3/8" FLAT WASHER

QTY: 12



3/8-16" JAM NUT

QTY: 4



1/4" X 1" SPACER

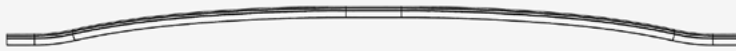
QTY: 24

Reference this page throughout the install



PARTS

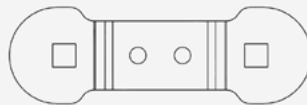
L.



EDGE TRIM WITH GASKET

QTY: 1

M.



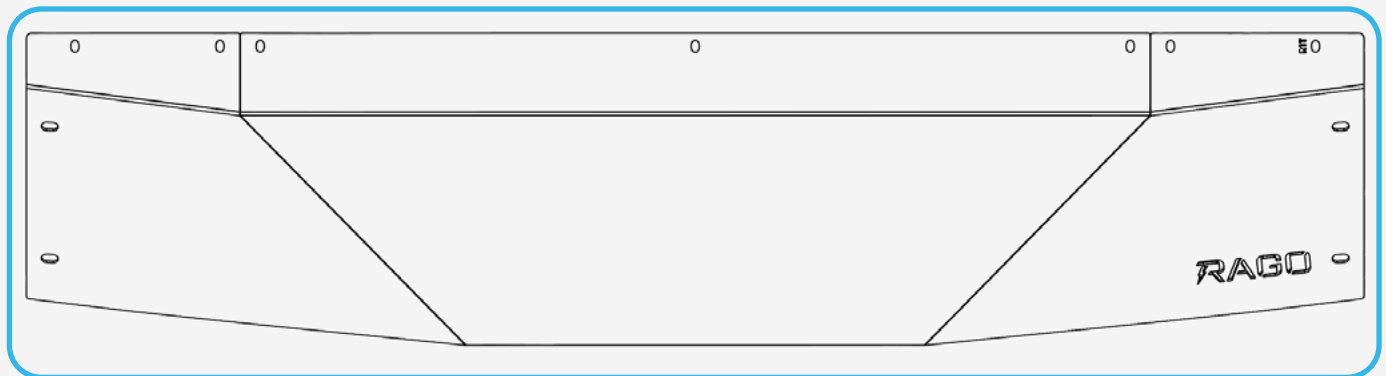
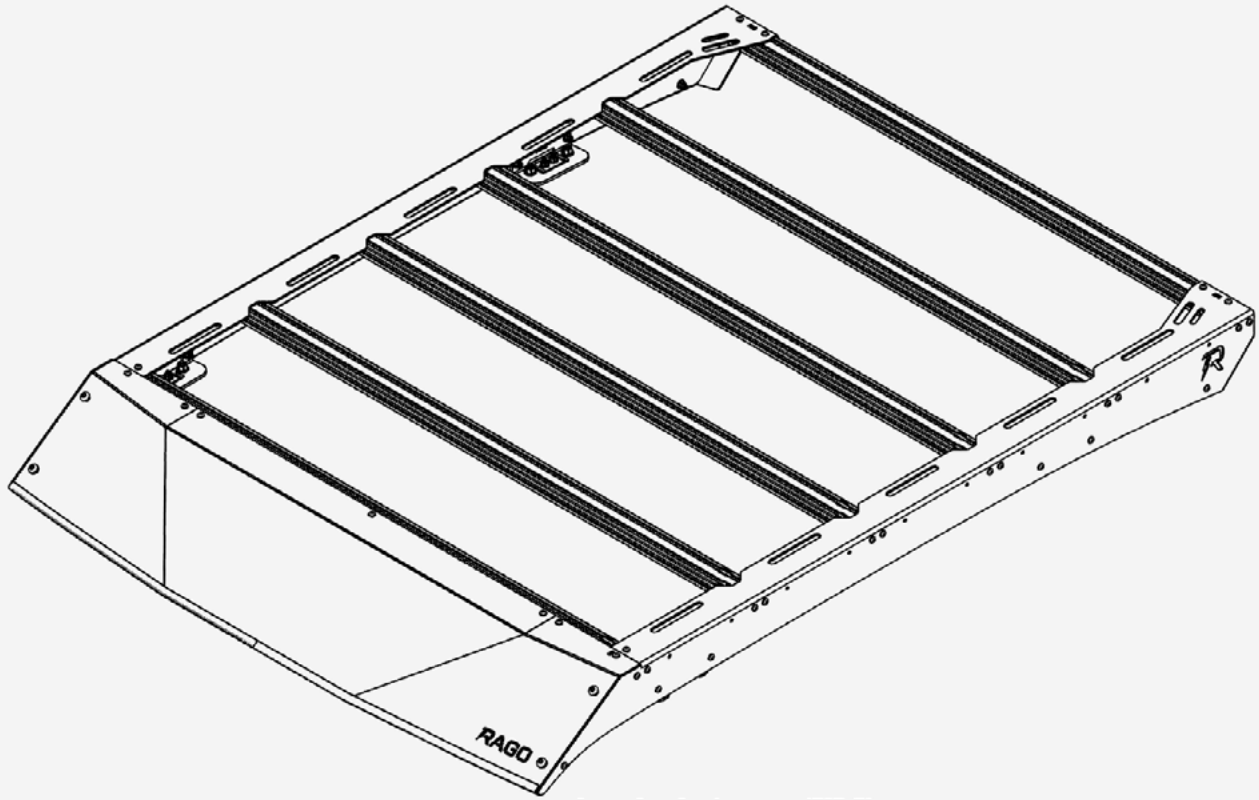
APL0579

QTY: 4

Reference this page throughout the install

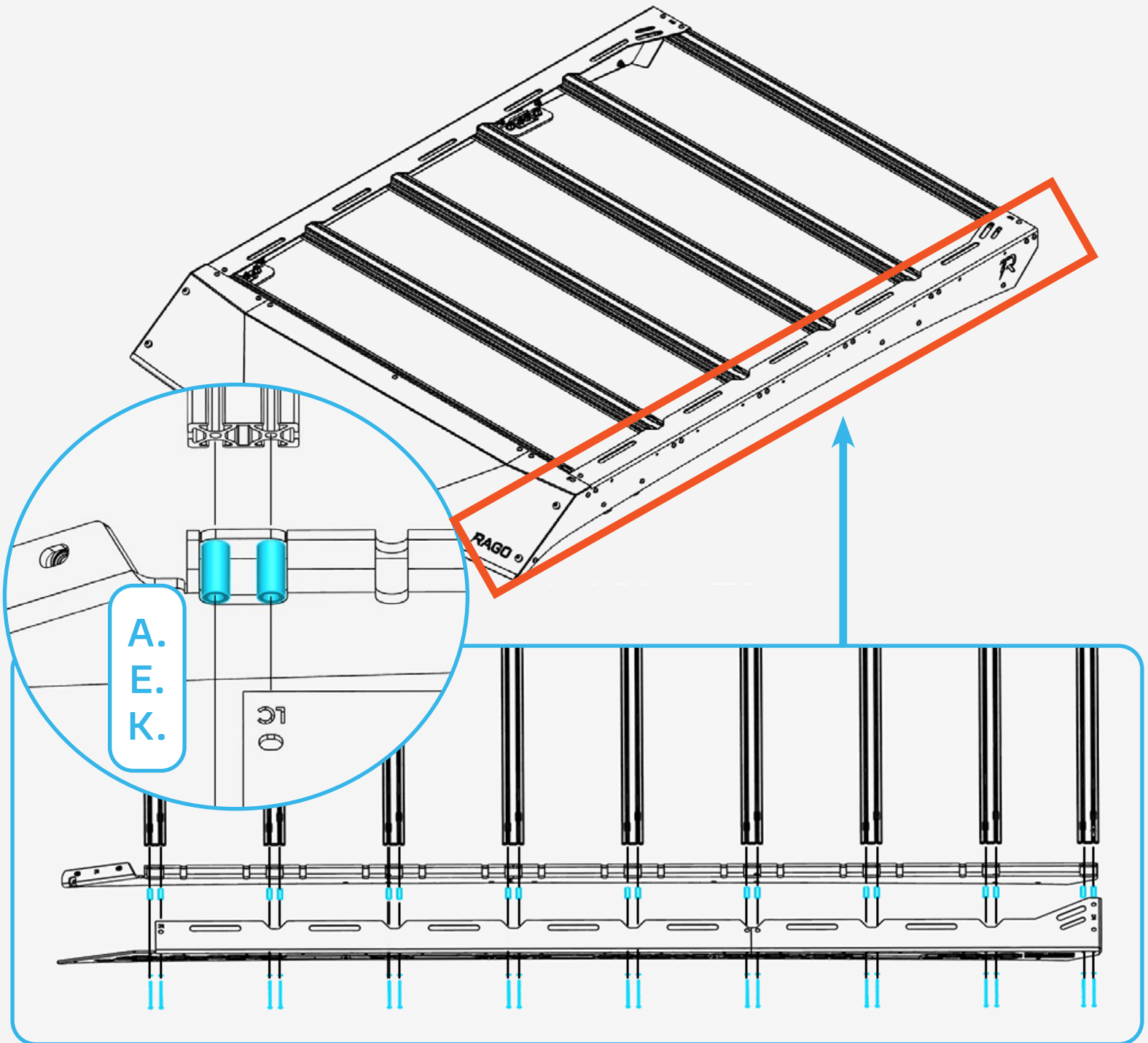


AC940850103



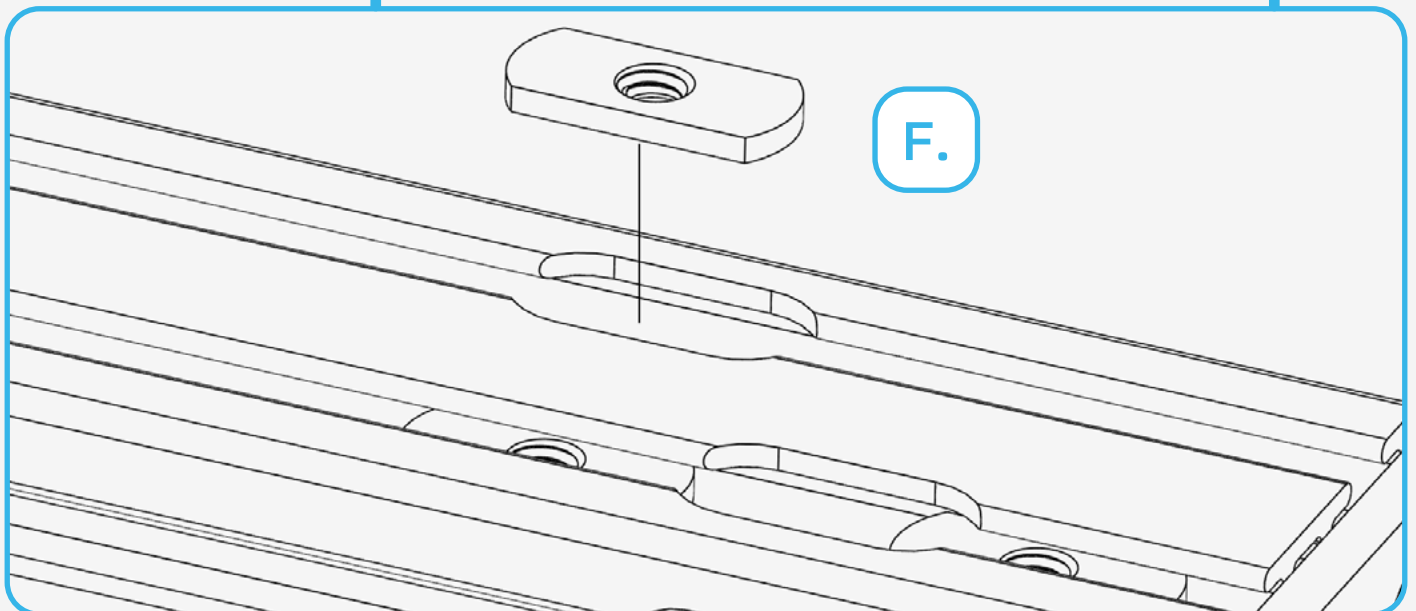
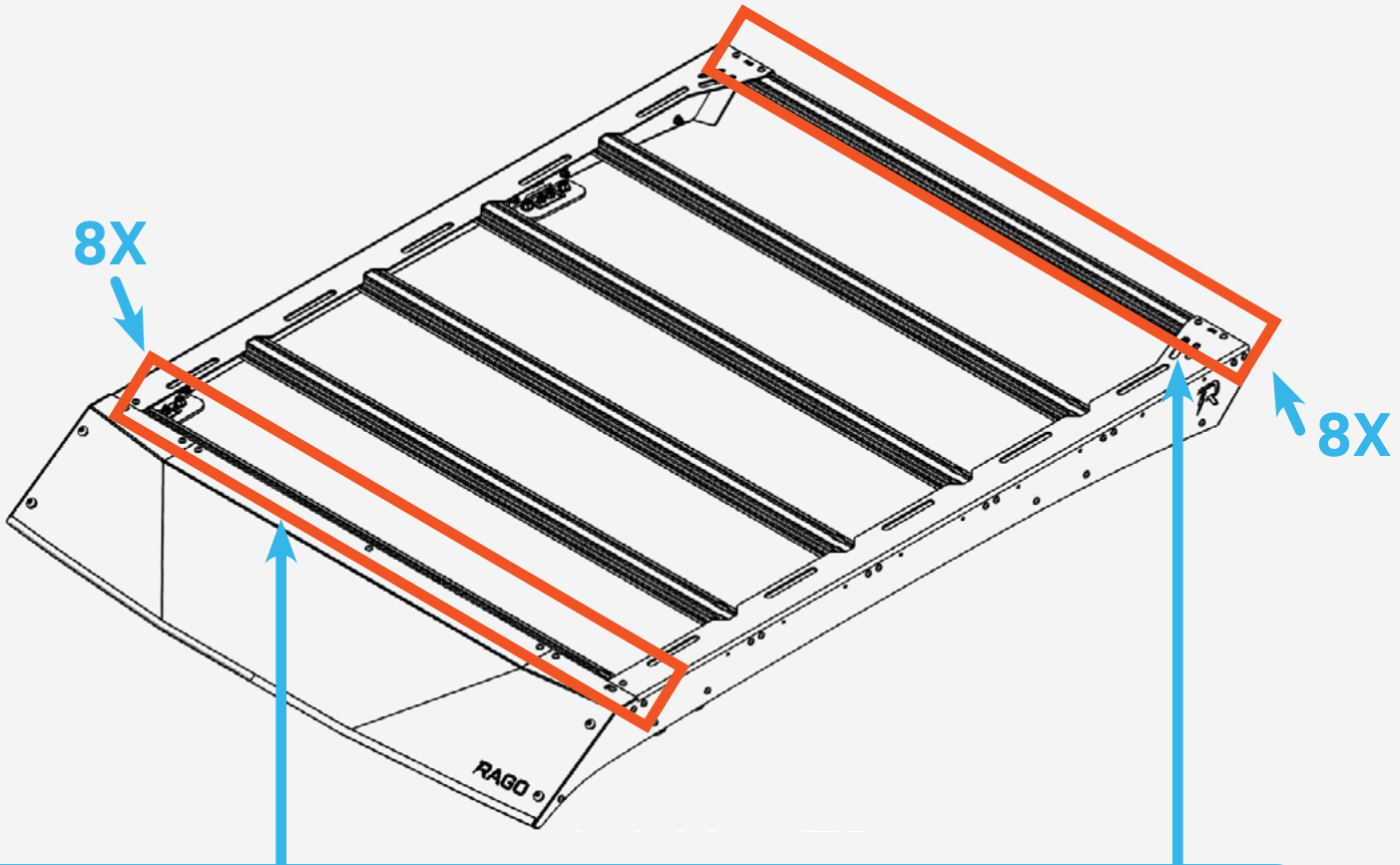
□ STEP 1

Install the rails to the backer plate and the side panel as shown below with the provided (A, E, K) 1/4" hardware and washers using a (5/32 allen).



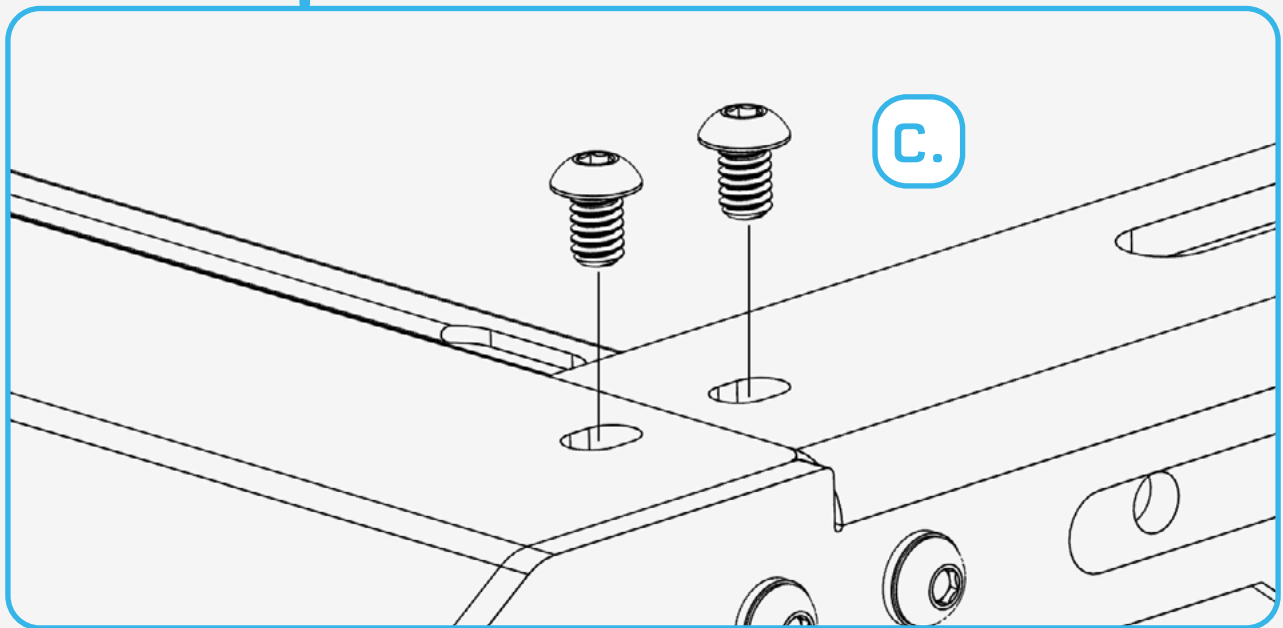
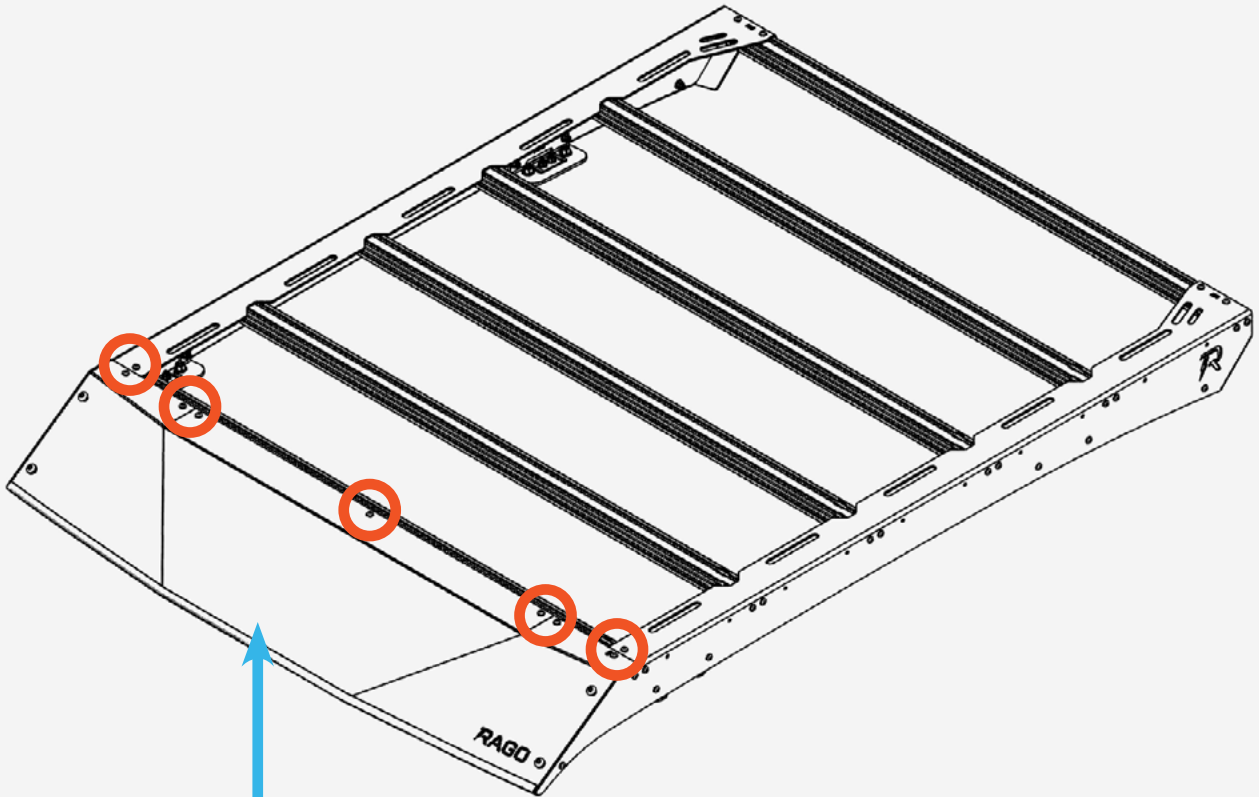
□ STEP 2

Install **(F)** T-nuts into the slots through the open slot located on one side of the rail.



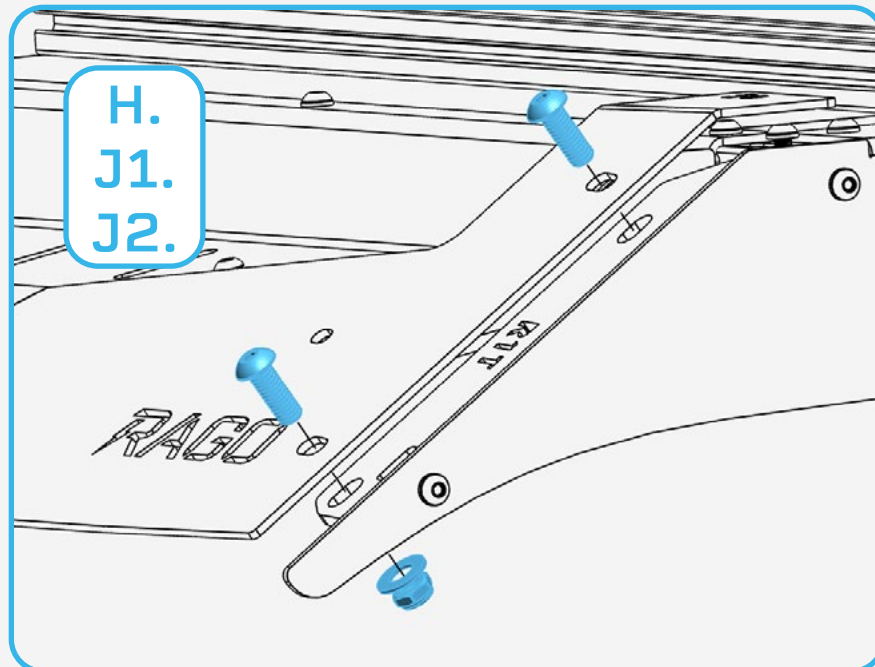
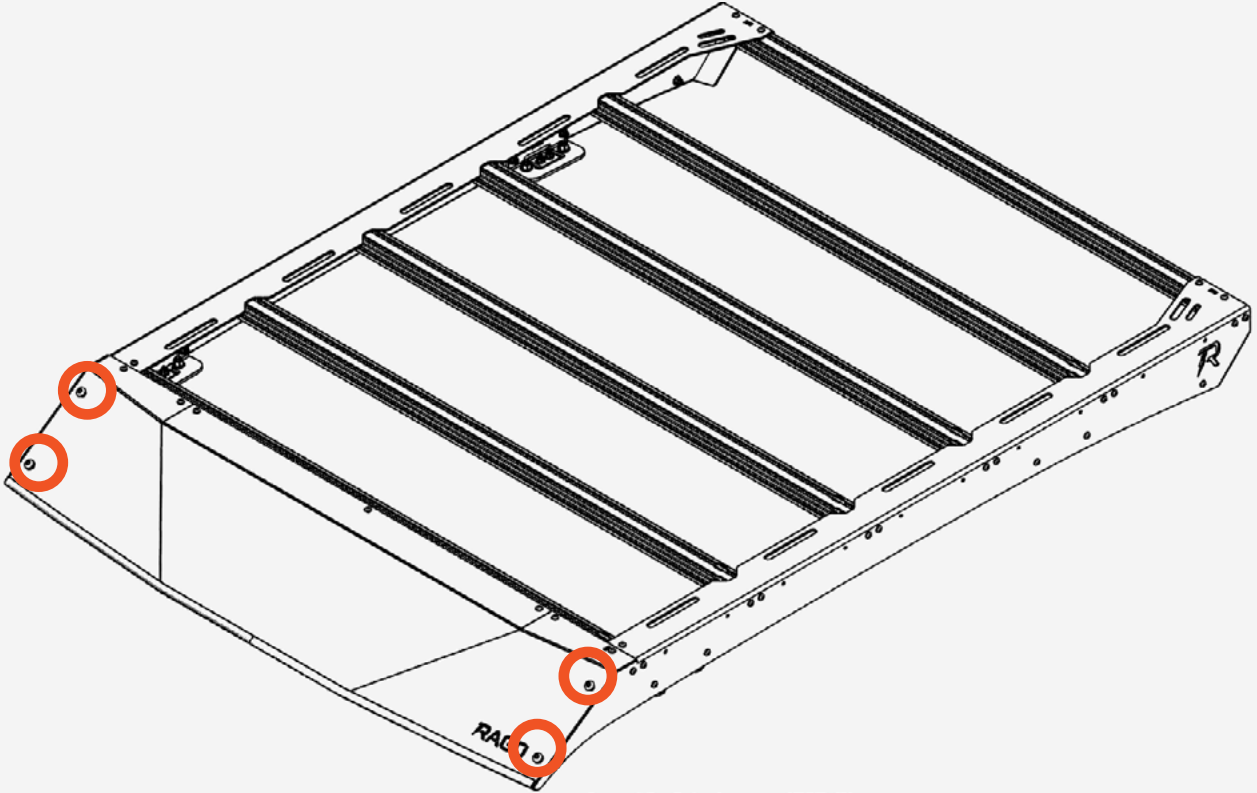
□ STEP 3

Install the provided (C) 1/4" hardware into the T-nuts installed from **step 2** using a (5/32 allen).



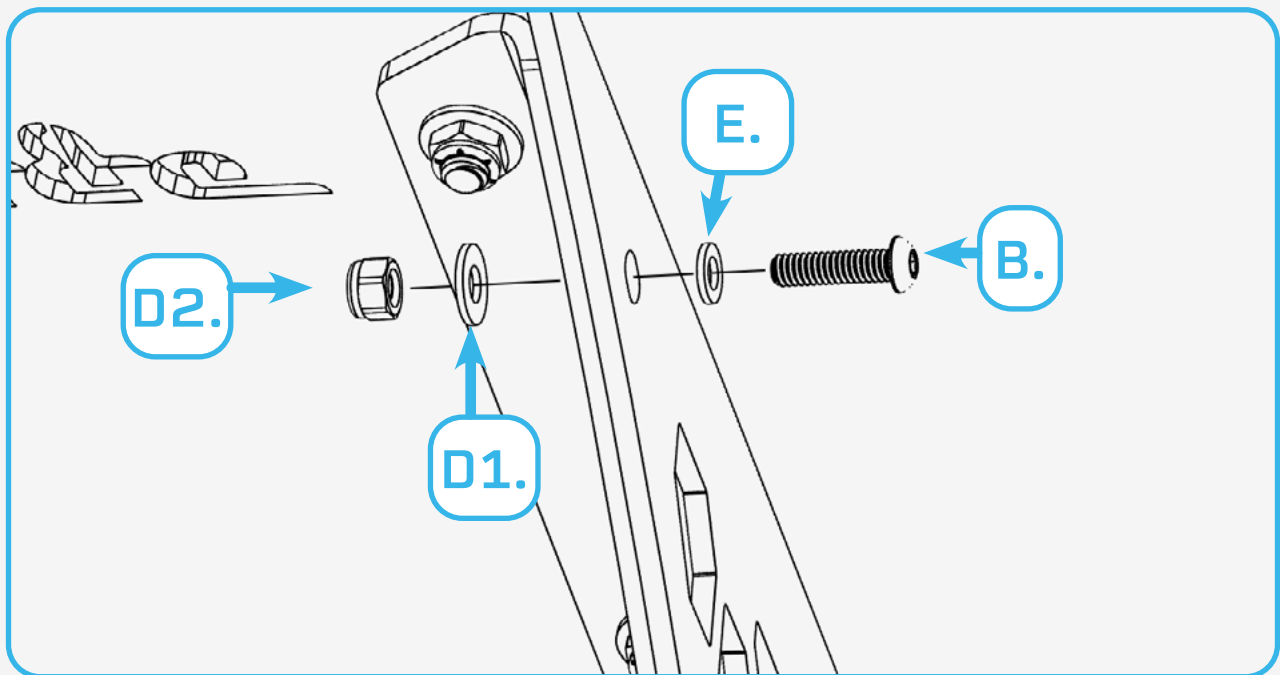
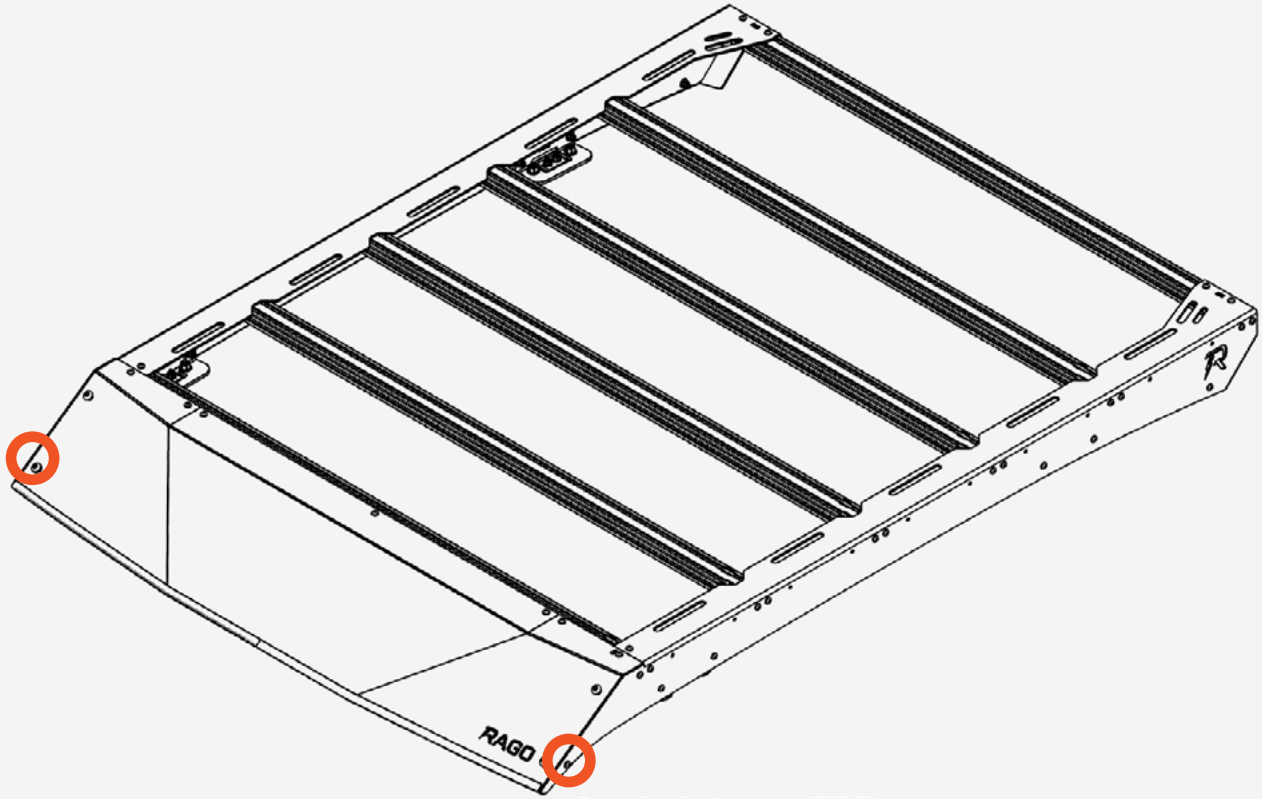
□ STEP 4

Install the provided (H, J1, J2) 3/8" hardware using a (7/32 allen) and a (9/16 wrench).



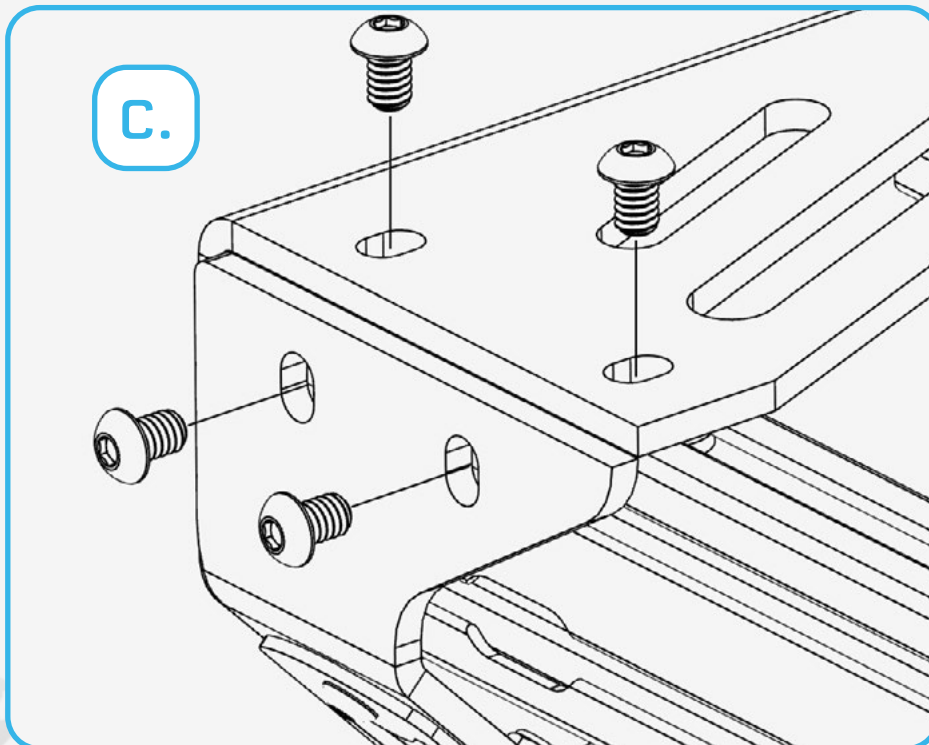
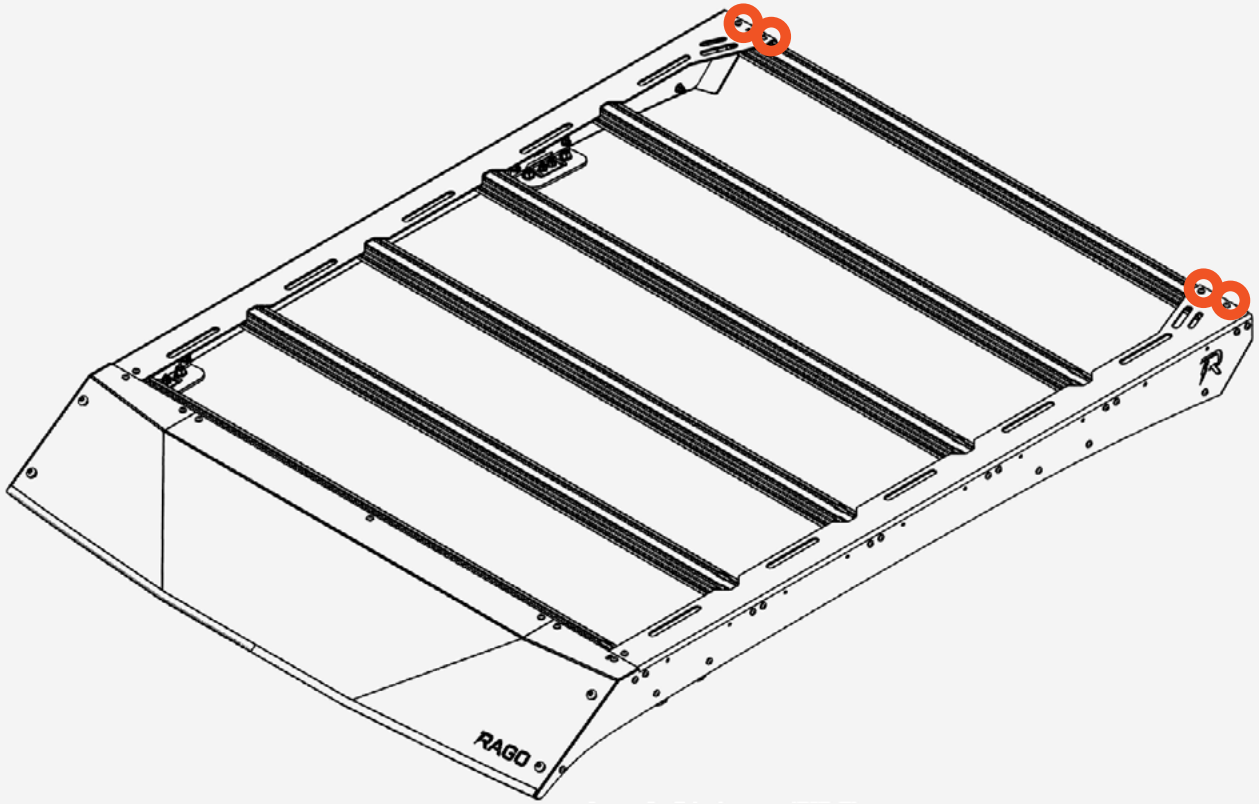
□ STEP 5

Install the provided **(B, E, D1, D2)** 1/4" hardware using a **(5/32 allen)** and a **(7/16 wrench)**.



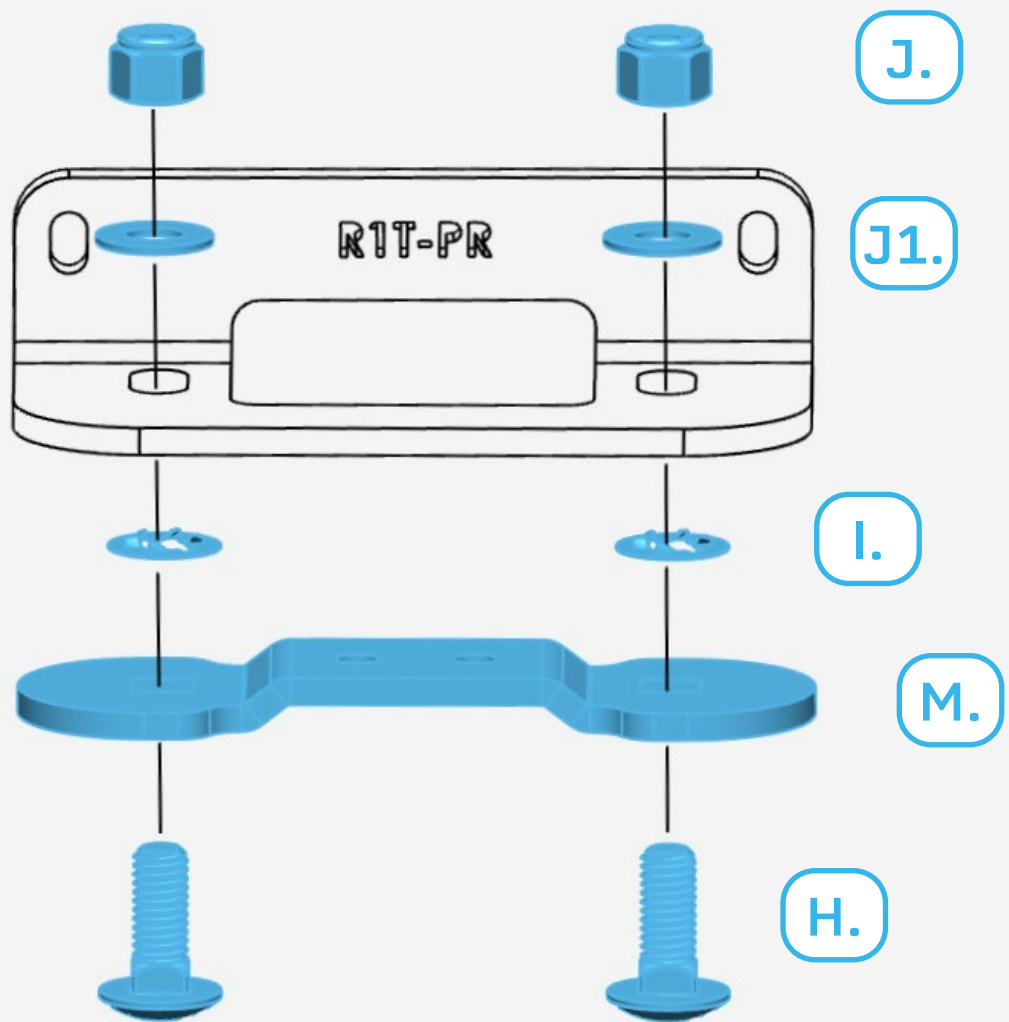
□ STEP 6

Fully install the rear rail with the provided (C) 1/4" hardware using a (5/32 allen) into the T-nuts installed on **step 2**.



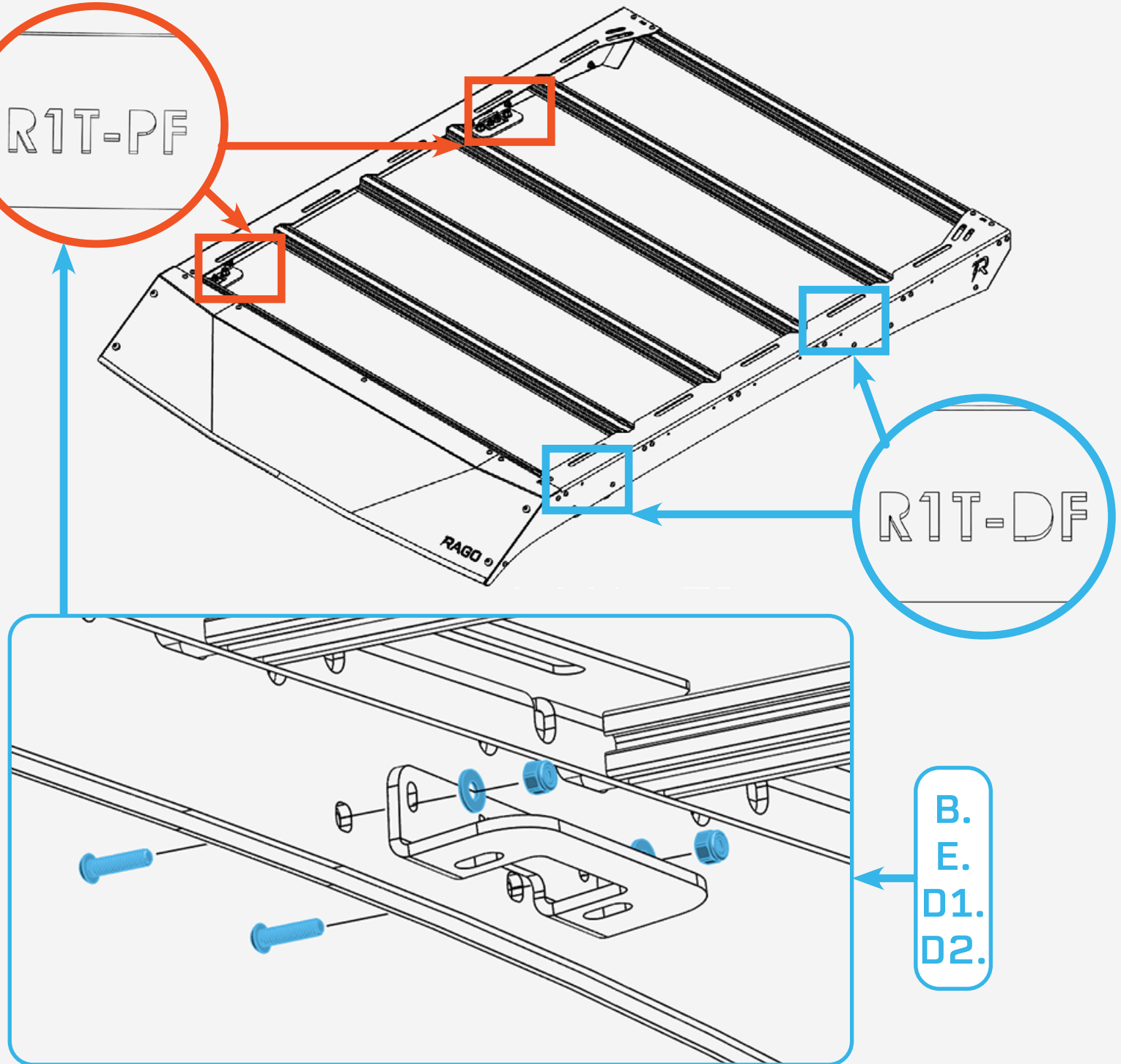
□ STEP 7

Assemble the mounting brackets with the provided **(H, I, J, J1)** 3/8 hardware with the provided **(M)** bracket as shown below in the correct order using a **(9/16 socket)**.



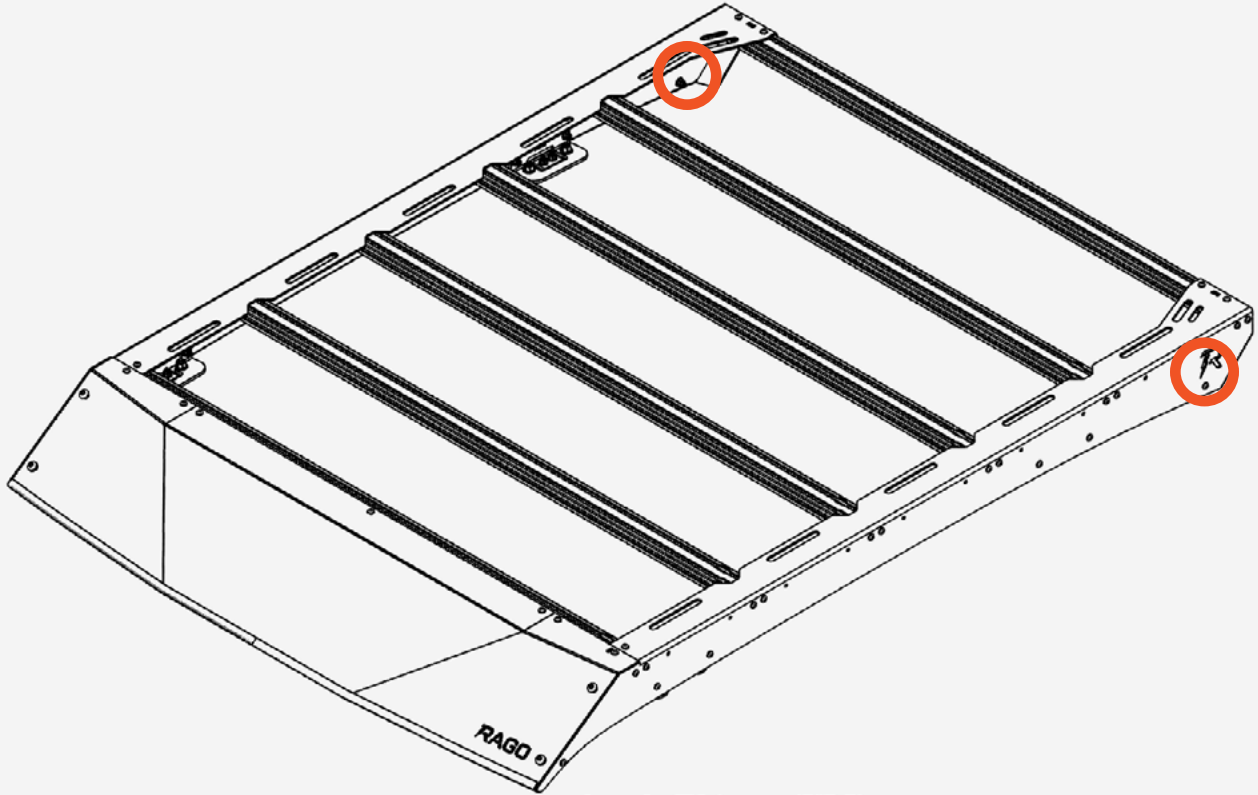
□ STEP 8

Install the mounts in the locations highlighted below with the provided **(B, E, D1, D2)** 1/4" hardware using a **(5/32 allen)** and a **(7/16 wrench)**.

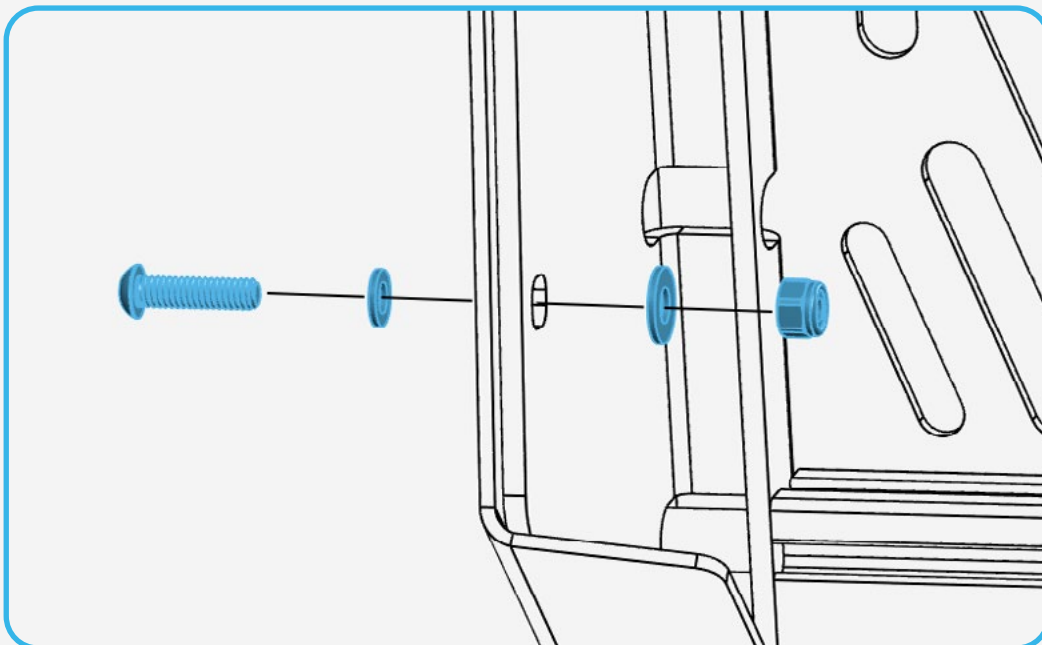


□ STEP 9

Install the provided **(B, E, D1, D2)** 1/4" hardware in the highlighted locations as shown below using a **(5/32 allen)** and a **(7/16 wrench)**.

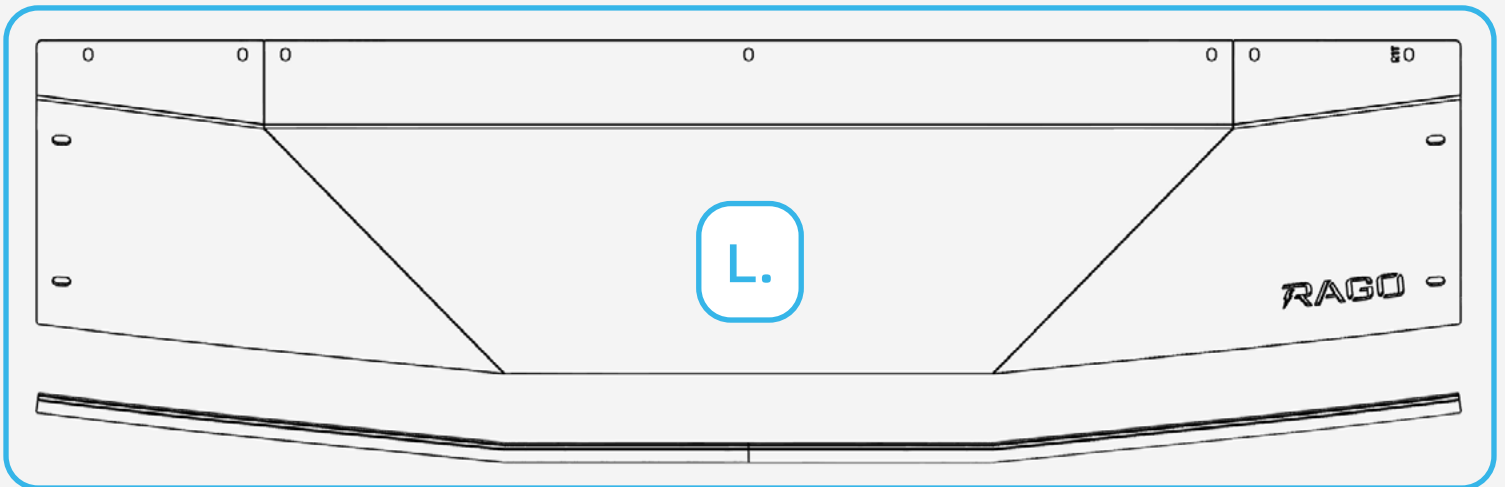
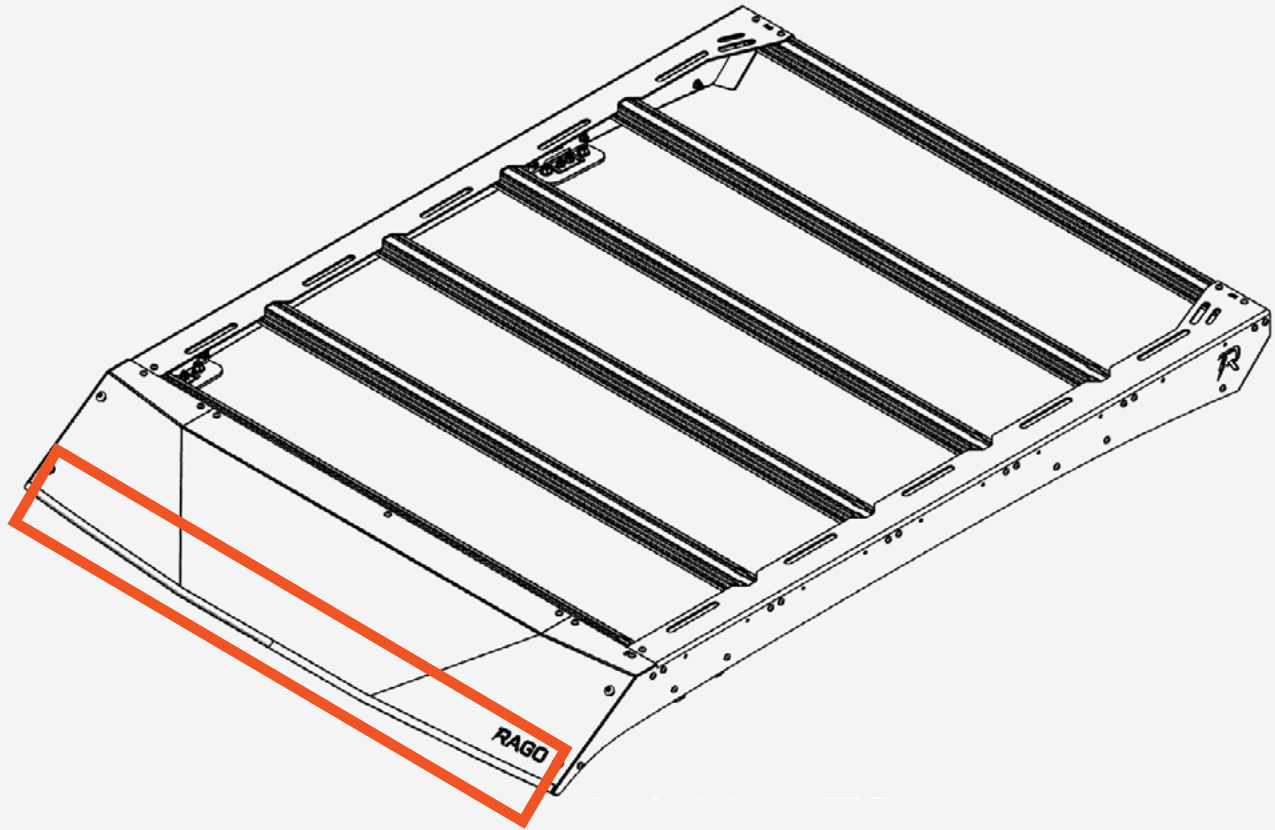


B.
E.
D1.
D2.



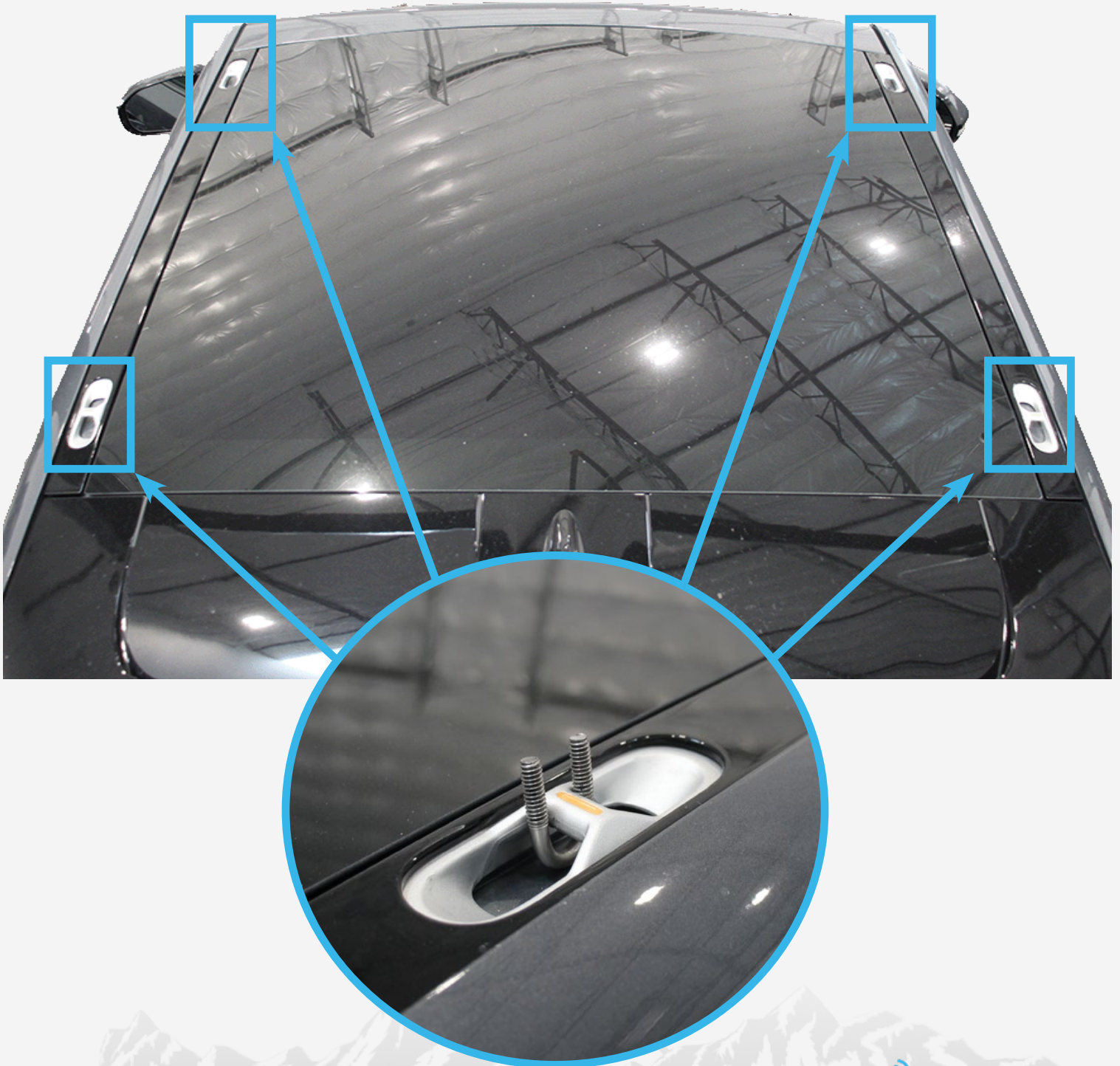
□ STEP 10

Install the (L) rubber gasket as shown below. Cut excess as needed.



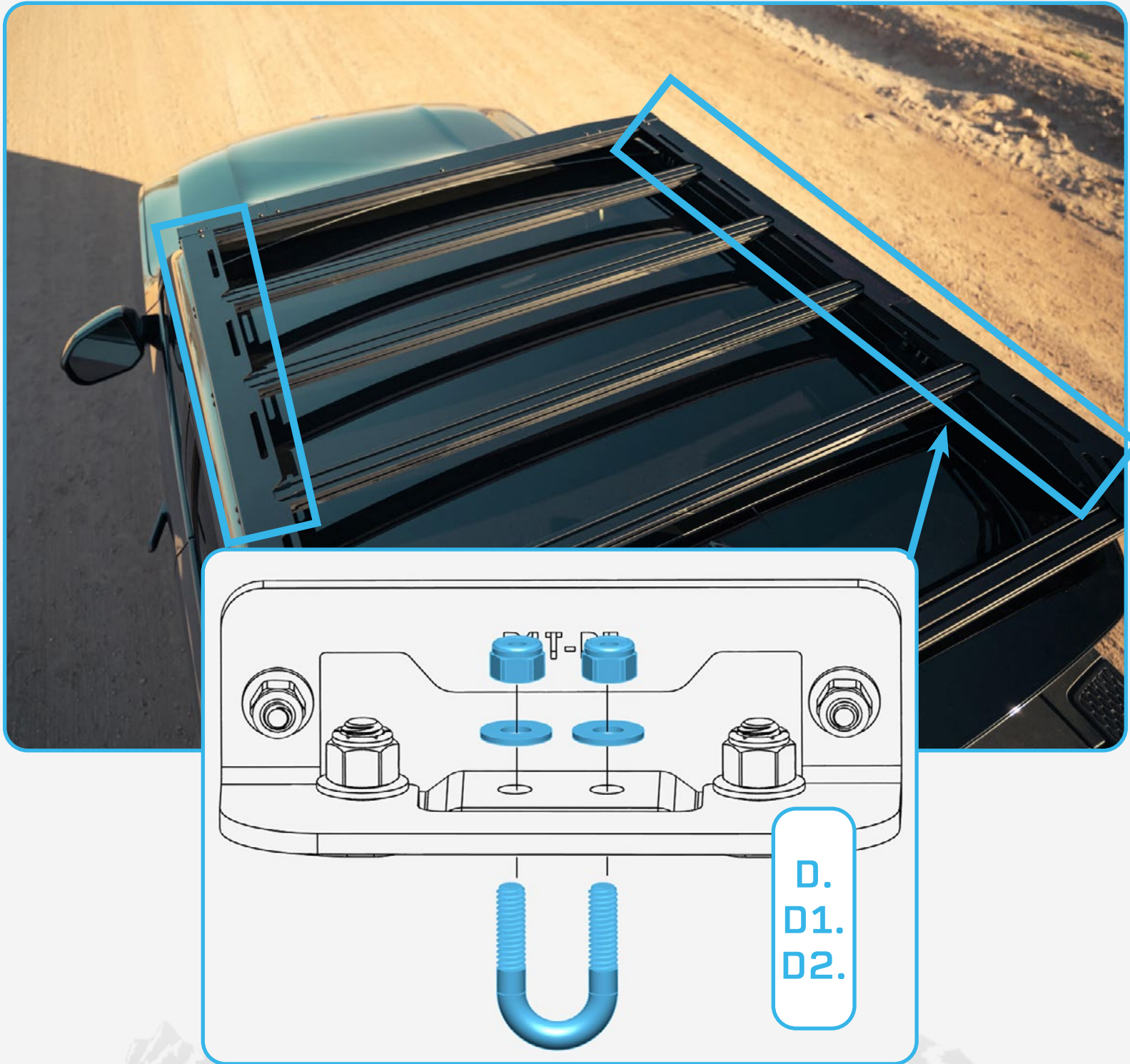
□ STEP 11

Locate the mounting locations on the roof as shown below. Install the provided U-Bolt before install the roof rack.



□ STEP 12

Next, With a helping hand, install the roof rack into the u-bolts installed on **step 11** with the provided (**D, D1, D2**) 1/4 hardware using a (**7/16 wrench**).



STEP 13

Stand back and enjoy your new RAGO EV Roof Rack With Solid Valence.

Check and re-tighten all mounting bolts after 100 miles and periodically thereafter.

